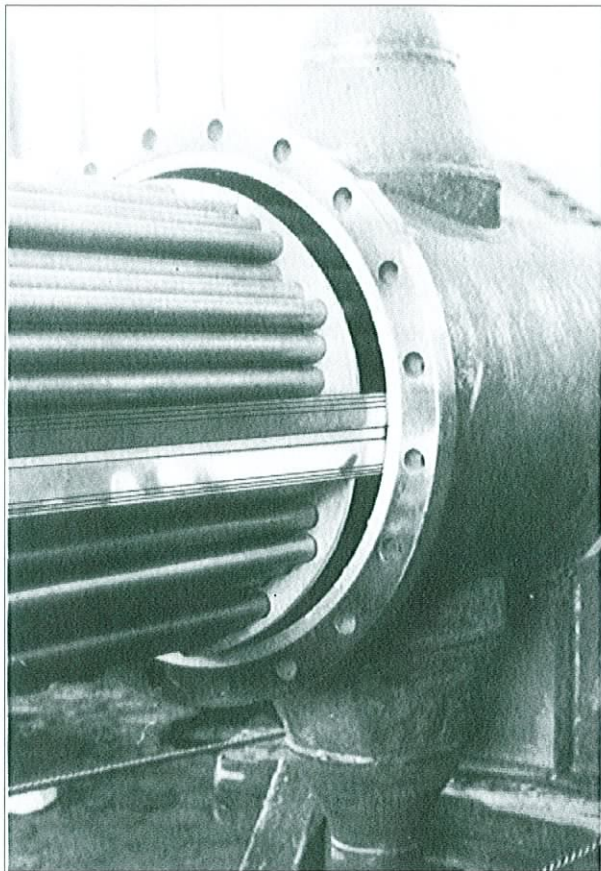


Baffle Seals Profile T4

for sealing of longitudinal baffles of High-Efficiency Heat Exchangers

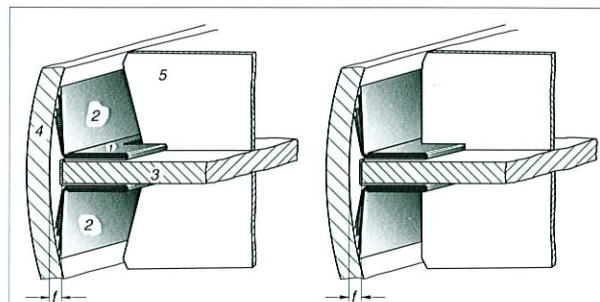
Baffle seal T4 is an all-metal seal. As a rule, the lamellae holder as well as the lamellae consist of 1.4571 (AISI 316 Ti). With great quantity orders other resilient metal materials are available, please request.



Effective sealing of the gap between the longitudinal baffle and the shell of high-efficiency heat exchangers is of great importance. Especially in the presence of small differences in temperature minor short-circuit flow causes substantial loss of efficiency. This will be avoided extensively by use of T4 baffle seals. The gasket T4 can easily be installed onto the longitudinal baffle.

No screws are needed to hold the seals in place. Using Baffle seals T4 the drilling of holes and screwing-up work do not take place.

The lamellae of baffle seal T4 and the lamellae holder are joined together by spot-welding, thus forming one unit that can be supplied in any required length. However, in order to avoid transportation difficulties, the length should not exceed 6 m. Specified dimensions are supplied exact to the millimetre and avoid the difficult crosscutting of the thin lamellae during assembly of the heat exchanger.



Style „A“

Style „B“

Part 1) lamellae holder, part 2) package of lamellae, part 3) longitudinal baffle, part 4) heat-exchanger shell, part 5) transverse baffle.

| Part | 1 | 2 |
|-----------------|----------------------|----------------------|
| Designation | lamellae holder | package of lamellae |
| Material | 1.4571 (AISI 316 Ti) | 1.4571 (AISI 316 Ti) |
| Thickness | 0,50 mm | 0,20 mm |
| Delivery Length | 1000 mm | 6000 mm* |

* Longer units are supplied in one piece after previous arrangement and are depending upon the availability of suitable transport facilities.

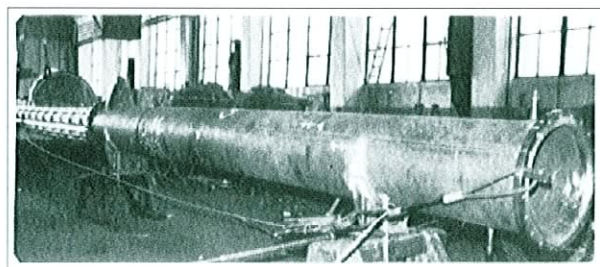
Style „A“:

For this finish lamellae holder with recesses are necessary. The recesses for the transverse baffles must be grind out into the lamella holder during assembling. They should not be grind out deeper than necessary for taking up the transverse baffles

Style „B“:

When a larger number of transverse baffles has to be installed, it is more convenient to have a continuous baffle seal T4, without recesses. The necessary openings should then be cut into the transverse baffles. In this case the first section of the lamella holder - the one at the far end - can be fixed to the longitudinal baffle using a screw or a slotted pin to ensure that the baffle seal will be withdrawn together with the tube bundle. With arrangements „A“ this is not necessary.

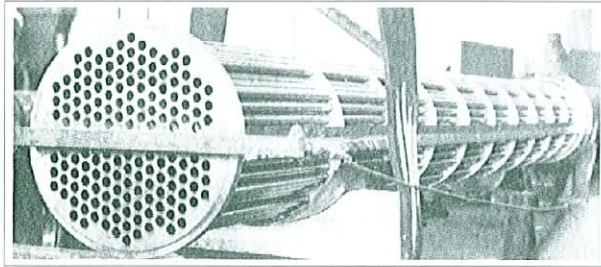
Baffle seal T4 is not absolutely leakproof especially for gases. However, the results obtained by this simple method are far better than those obtained previously.



kempöchen
the right choice!

Distributed By

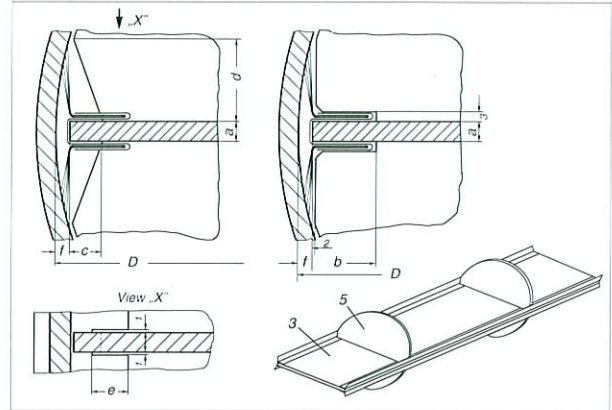
KLINGER



The metal construction ensures safe functioning over a wide temperature range. Where especially high demands are made on the sealing effect we recommend to place thin PTFE foils between the last two lamellae. With PTFE-foils the seals are only usable up to 250°C.

Please contact us for further information.

Two sizes of lamellae widths are available. The lamellae widths is 30 mm for the holder T4.30 and 20 mm for the holder T4.20. The holders are available for thickness 4 mm up to 25 mm of the longitudinal baffle.



| | | | |
|-----------------|--|--------|----|
| Designation Key | Thickness a of longitudinal baffle or nominal pitch width of lamellae holder | | |
| | Width of lamellae | | |
| | Profile | | |
| | T4. | 20.30. | XX |

Dimensions in mm

| Profile | T4.20.XX | T4.30.XX |
|---|----------|----------|
| | 04 | -- |
| Standard thickness of longitudinal baffle or nominal pinch width a. | 05 | 05 |
| | 06 | 06 |
| | 07 | 07 |
| For other sizes please contact our sales department. | 08 | 08 |
| | 09 | 09 |
| | 10 | 10 |
| | -- | 12 |
| | -- | 13 |
| | -- | 15 |
| | 16 | 16 |
| | 17 | 20 |
| | -- | 25 |
| b | 22 | 32 |
| c | 12 | 15 |
| d | 30 | 40 |
| e | 15 | 22 |

The radial gap (f) between baffle and shell should have approx. the following dimensions:

| Diameter D in mm | T4.20 | T4.30 |
|------------------|-------|-------|
| 200 | 6 | - |
| 300 | 5,5 | - |
| 400 | 5 | 5,5 |
| 500 | 4,5 | 5 |
| 600 | 4 | 4,5 |
| 800 | 3,5 | 4 |
| 1000 | 3,5 | 4 |
| 1200 | - | 4 |
| 1600 | - | 3,5 |
| 2000 | - | 3,5 |

Ordering example for a baffle seal T4 of 1.4571 (AISI 316 Ti), width of lamellae 30 mm, I.D. heat exchanger, **D** = 1000 mm, radial gap to be sealed **f** = 4 mm, baffle thickness **a** = 10 mm, length = 2000 mm:

Baffle seal T4.30.10/2000.

Distributed By



kempöchen
the right choice!